

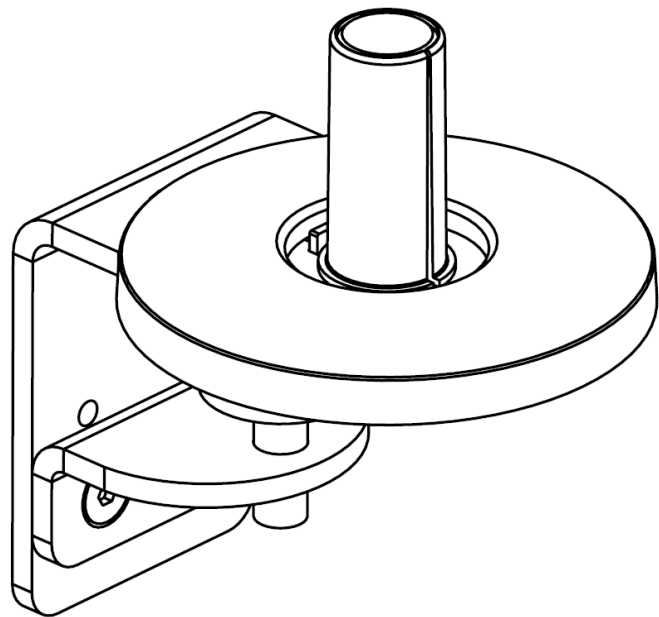
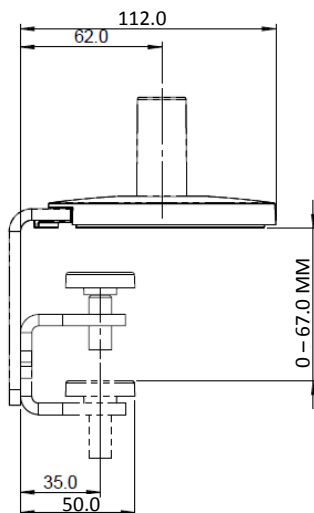
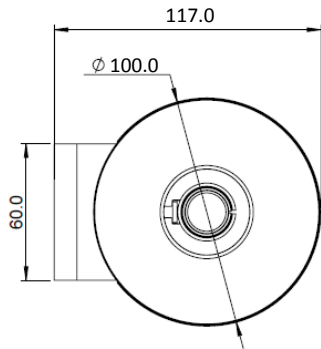


TECHNICAL SPECIFICATION SHEET

PRODUCT NAME: Flo Split Clamp

PRODUCT CODE: DYN/013/AS09

Doc Rev 1. 29.04.15. CF



*Note dimensions provided are measured in mm

KEY FEATURES

- Soft Pads protects work surface from damage
- Configurable 180° stop system
- Clamp pad ensures secure grip without damaging underside of work surface
- Suitable for desk thickness from 0-67mm

Product Classification	Brackets, Clamps and Fixings
Max load	9kg (19.8lb)
Build level	#C
Recycled content	24%
Total product recyclable	100%

LOGISTICAL

Box contains	Clamp, clamp screws, clamp pad
Bag dims (HxWxD)	160 x 140 x 90 mm (packed in poly bag)
Bag gross weight	0.8kg
Carton quantity	18
Master dims (HxWxD)	505 x 290 x 220 mm
Master weight	14.9 kg
Country of origin	China
Country of configuration	UK

ORDERING INFORMATION

Colour	Product code	EAN
Silver	DYN/013/AS09/S	5060270820895
Black	N/A	N/A
White	DYN/013/AS09/W	5060270820901

WARRANTY

Warranty Term	Limited lifetime
---------------	------------------

COMPLIANCE & SAFETY CERTIFICATION

Whilst no mandatory standards apply to the monitor arm product sector, all Colebrook Bosson Saunders monitor arms have been designed with appropriate articulation features, dimensional range and adjustability to conform to the requirements of BS EN ISO 9241:5 1999 Ergonomic requirements for office work with visual display terminals (VDTs).

Conformance certification	N/A
Test authority	CBS
Safety certification	N/A

ENVIRONMENTAL

Material type	Material type Weight	% PIR of total weight	% PCR of total weight	% of total product recyclable
Aluminium Die Cast	10.2g	0.25%	0.51%	1.27%
Aluminium Extruded	0g	0%	0%	0%
Plastic	57.8g	0.36%	0.36%	7.22%
Rubber	0g	0%	0%	0%
Steel	725.3g	0%	22.64%	90.57%
Other	0g	0%	0.00%	0%
Total	800.8g	0.62%	23.70%	100%

CLEANING, STORAGE & MAINTENANCE

Routine servicing	Periodic inspection
Service components	Available to order
Cleaning & Maintenance	Damp cloth, no abrasives, no solvents to be used on the cosmetic surfaces
Handling & Storage	Do not drop or expose to moisture

Colebrook Bosson Saunders (Products) Ltd accept no liability for the accuracy of the information contained herein and retain the right to modify the specifications or data contained herein without prior notification.