

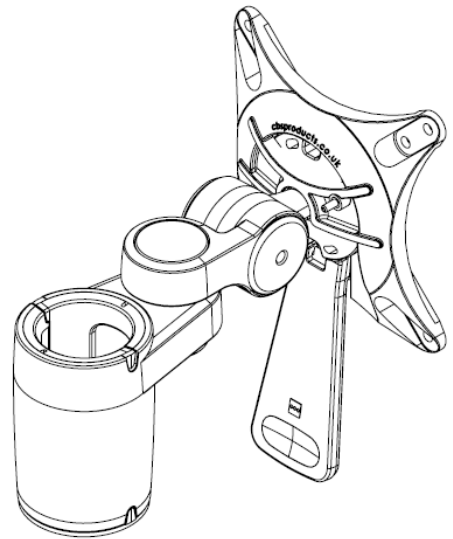
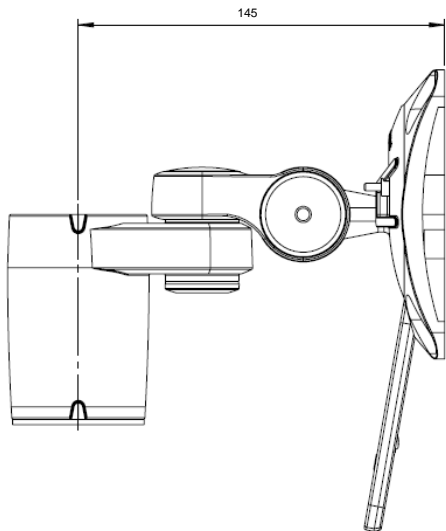


TECHNICAL SPECIFICATION SHEET

PRODUCT NAME: Daisy C-Post with Quick Release

PRODUCT CODE: COM/003

Doc Rev 1. 26.03.15. CF



*Note dimensions provided are measured in mm

KEY FEATURES

- Easy to install - the arm comes pre-assembled
- Can combine with Daisyone Standard arm (COM/001) for multiscreen installations
- Fits with all CBS posts to give a wide range of height, aesthetic, cost options
- Over 180 degree vertical tilt to avoid glare

Product Classification	Monitor Arm
Max load	8.5kg (18.7lb)
Build level	#1
Recycled content	29%
Total product recyclable	100%

LOGISTICAL

Box contains	Monitor arms
Product net weight:	0.56 kg
Box dims (HxWxD)	120 x 124 x 205 mm
Box gross weight	0.59 kg
Carton quantity	12
Master dims (HxWxD)	420 x 260 x 385 mm
Master weight	10.26 kg
Country of origin	China
Country of configuration	UK

ORDERING INFORMATION

<u>Colour</u>	<u>Product code</u>	<u>EAN</u>
Silver	COM/003/S	5060096228820

WARRANTY

Warranty Term	Limited lifetime
Notes	Excludes Quick Release mechanism – warranty 5 years

COMPLIANCE & SAFETY CERTIFICATION

Whilst no mandatory standards apply to the monitor arm product sector, all Colebrook Bosson Saunders monitor arms have been designed with appropriate articulation features, dimensional range and adjustability to conform to the requirements of BS EN ISO 9241:5 1999 Ergonomic requirements for office work with visual display terminals (VDTs).

Conformance certification	N/A
Test authority	CBS
Safety certification	N/A

ENVIRONMENTAL

Material type	Material type Weight	% PIR of total weight	% PCR of total weight	% of total product recyclable
Aluminium Die Cast	338.6g	11.92%	23.85%	59.62%
Plastic	146.7g	1.29%	1.29%	25.83%
Rubber	0g	0%	0%	0%
Steel	81.3g	0%	3.58%	14.32%
Stainless Steel	0.4g	0%	0.01%	0.07%
Brass	0.9g	0%	0.02%	0.16%
Total	567.90g	13.22%	28.76%	100.00%

CLEANING, STORAGE & MAINTENANCE

Routine servicing	Periodic inspection
Service components	Available to order
Cleaning & Maintenance	Damp cloth, no abrasives, no solvents to be used on the cosmetic surfaces
Handling & Storage	Do not drop or expose to moisture

Colebrook Bosson Saunders (Products) Ltd accept no liability for the accuracy of the information contained herein and retain the right to modify the specifications or data contained herein without prior notification.