

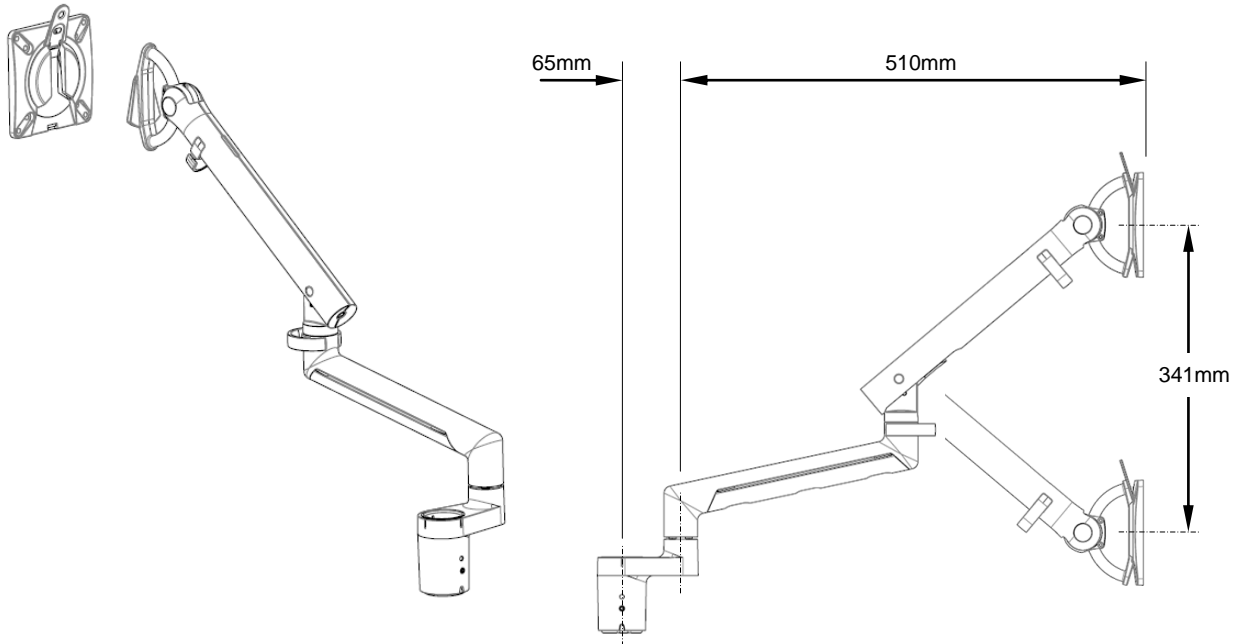


TECHNICAL SPECIFICATION SHEET

PRODUCT NAME: Flo Modular Monitor Arm

PRODUCT CODE: DYN/013/007

Doc Rev2. 20.01.15. KO



KEY FEATURES

- Can mount to WSH post system, extending the versatility of the Flo family.
- Can easily expand to single, dual and triple screen configurations.
- Smooth dynamic movement through patented Flo Spring Technology.
- Visual indicator gauge for easy replication of weight setting when installing multiple arms.
- Integrated three-point cable management system.
- Minimal environmental impact.

Product Classification	Monitor Arms
Max load	9kg (19.8lbs)
Min load	3kg (6.6lbs)
Horizontal range	510mm
Vertical motion range	341mm
Monitor tilt range	45° upward tilt, 45° downward tilt
Build level	#A
Recycled content	28%
Total product recyclable	100%

LOGISTICAL

Box contains	Flo Monitor arm with post-mount component, VESA fixing screws, allen keys, 90° stop 'disable' washer.
Product net weight:	2.3 kg
Box dims (HxWxD)	460 x 290 x 67 mm
Box gross weight	2.7 kg
Carton quantity	6
Master dims (HxWxD)	600 x 480 x 225 mm
Master weight	17.14 kg
Country of origin	China
Country of configuration	UK

ORDERING INFORMATION

<u>Colour</u>	<u>Product code</u>	<u>EAN</u>
White	N/A	N/A
Silver	DYN/013/007/S	5060270823889
Black	DYN/013/007/B	5060270823896

WARRANTY

Warranty Term	Limited lifetime
---------------	------------------

COMPLIANCE & SAFETY CERTIFICATION

Whilst no mandatory standards apply to the monitor arm product sector, all Colebrook Bosson Saunders monitor arms have been designed with appropriate articulation features, dimensional range and adjustability to conform to the requirements of BS EN ISO 9241:5 1999 Ergonomic requirements for office work with visual display terminals (VDTs).

Conformance certification	BS EN ISO 9241:5 1999 Ergonomic Requirements for office work with visual display terminals (VDTs). FIRA certificate of conformance pending.
Test authority	CBS
Safety certification	N/A
CE EN Refs	N/A

INTERNAL TEST MEASURES

Flo Modular has been subject to the following in-house test procedures:

Vertical movement: 13,100 cycles of movement.

Tilt action: 3,000 cycles of movement.

All tests performed with a mounted load of 9kg.

ENVIRONMENTAL

Material type	Material type	% PIR of total weight	% PCR of total weight	% of total product recyclable
Weight				
Aluminium	1149g	9.9%	19.7%	49%
Plastic	415g	0.9%	0.9%	18%
Steel	588g	0%	6.3%	25%
Zinc	178g	0%	1.1%	7.8%
Brass	3g	0%	0.02%	0.2%
Total	2333g	10.8%	28%	100%

CLEANING, STORAGE & MAINTENANCE

Routine servicing	Periodic inspection
Service components	Available to order
Cleaning & Maintenance	Damp cloth, no abrasives, no solvents to be used on the cosmetic surfaces
Handling & Storage	Do not drop or expose to moisture

Colebrook Bosson Saunders (Products) Ltd accept no liability for the accuracy of the information contained herein and retain the right to modify the specifications or data contained herein without prior notification.