

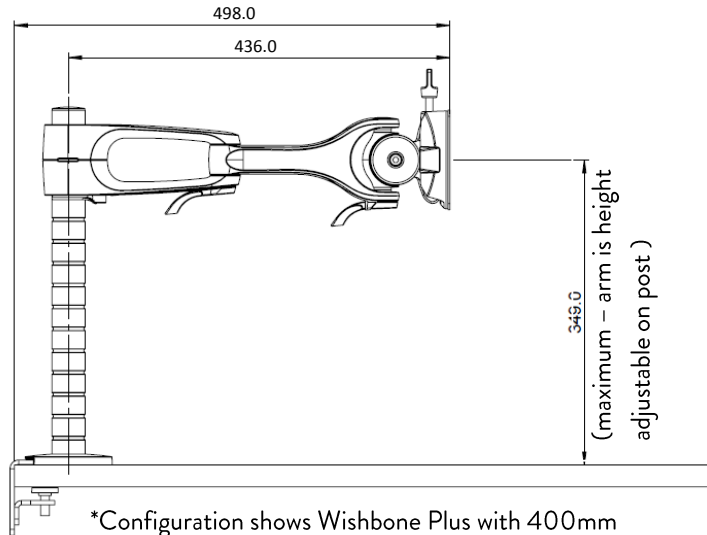


# TECHNICAL SPECIFICATION SHEET

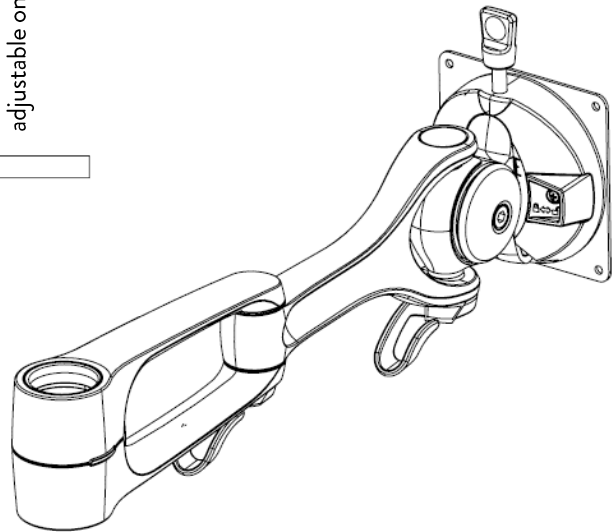
**PRODUCT NAME:** Wishbone Plus

**PRODUCT CODE:** WSH/011/CQR

Doc Rev 1. 07.04.2015. CF



\*Configuration shows Wishbone Plus with 400mm post & Universal Desk Clamp



\*Note all dimensions provided are measured in mm

## KEY FEATURES

- High load bearing capacity for up to 32" screens (approximately)
- Easy to install
- Mounts to walls, slatwalls and desks using a variety of fixing options
- Fits with all CBS posts to give a wide range of height / aesthetic / cost options.
- Over 90 degree vertical tilt to avoid glare
- Over 180 degree horizontal movement
- Easy to change screen orientation: portrait to landscape
- Supplied with high capacity cable management clip

<b>Product Classification</b>	Monitor Arms
<b>Max load</b>	24kg (52.8lb)
<b>Horizontal Range</b>	436mm
<b>Build level</b>	#E
<b>Recycled content</b>	31%
<b>Total product recyclable</b>	100%

## LOGISTICAL

---

<b>Box contains</b>	Arm and PQR Head
<b>Product net weight:</b>	1.9 kg
<b>Box dims (HxWxD)</b>	165 x 125 x 500 mm
<b>Box gross weight</b>	2.42 kg
<b>Carton quantity</b>	6
<b>Master dims (HxWxD)</b>	360 x 410 x 525 mm
<b>Master weight</b>	15.48 kg
<b>Country of origin</b>	China
<b>Country of configuration</b>	UK

## ORDERING INFORMATION

---

<b><u>Colour</u></b>	<b><u>Product code</u></b>	<b><u>EAN</u></b>
Silver	WSH/011/CQR/S	5060270823049
Black	Subject to MOQ	

## WARRANTY

---

<b>Warranty Term</b>	Limited lifetime
<b>Notes</b>	Excludes Quick Release mechanism – warranty 5 years

## COMPLIANCE & SAFETY CERTIFICATION

---

Whilst no mandatory standards apply to the monitor arm product sector, all Colebrook Bosson Saunders monitor arms have been designed with appropriate articulation features, dimensional range and adjustability to conform to the requirements of BS EN ISO 9241:5 1999 Ergonomic requirements for office work with visual display terminals (VDTs).

<b>Conformance certification</b>	N/A
<b>Test authority</b>	CBS
<b>Safety certification</b>	N/A

## ENVIRONMENTAL

---

Material type	Material type Weight	% PIR of total weight	% PCR of total weight	% of total product recyclable
Aluminium Die Cast	1190g	12.63%	25.27%	63.16%
Aluminium Extruded	0g	0%	0%	0%
Plastic	250g	0.66%	0.66%	13.27%
Rubber	0g	0%	0%	0%
Steel	230g	0%	3.05%	12.21%
Zinc	214g	0%	1.70%	11.36%
Brass	0g	0%	0%	0%
<b>Total</b>	<b>1884</b>	<b>13.30%</b>	<b>30.68%</b>	<b>100.00%</b>

## CLEANING, STORAGE & MAINTENANCE

---

<b>Routine servicing</b>	Periodic inspection
<b>Service components</b>	Available to order
<b>Cleaning &amp; Maintenance</b>	Damp cloth, no abrasives, no solvents to be used on the cosmetic surfaces
<b>Handling &amp; Storage</b>	Do not drop or expose to moisture

---

Colebrook Bosson Saunders (Products) Ltd accept no liability for the accuracy of the information contained herein and retain the right to modify the specifications or data contained herein without prior notification.