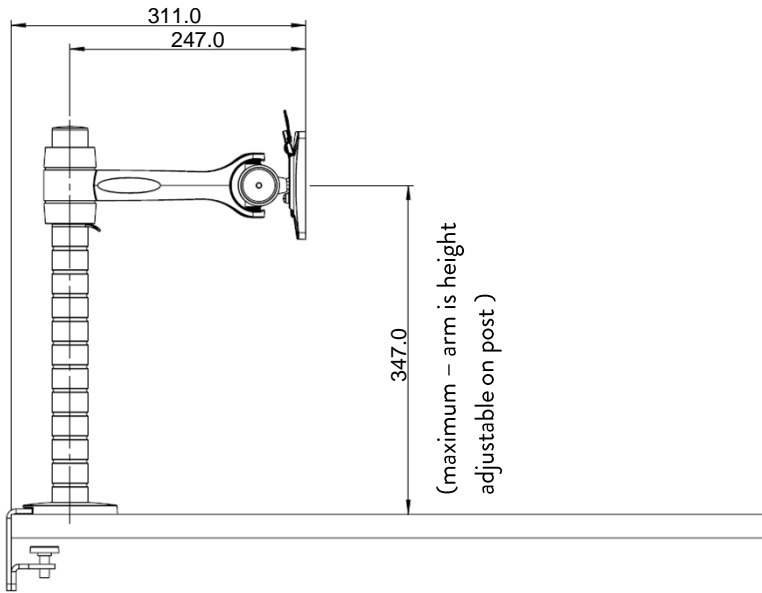




TECHNICAL SPECIFICATION SHEET

WSH/002



-
-
-
-
-
-
-

Level	#M
Recycled content	30%
Total product recyclable	100%

LOGISTICAL

Box contains	Arm and PQR Head
Product net weight:	0.72 kg
Box dims (HxWxD)	80 x 300 x 117 mm
Box gross weight	0.82 kg
Carton quantity	12
Master dims (HxWxD)	270 x 325 x 500 mm
Master weight	10.35 kg
Country of origin	China
Country of configuration	UK

ORDERING INFORMATION

<u>Colour</u>	<u>Product code</u>	<u>EAN</u>
Silver	WSH/002/PQR/S	5060270821649

WARRANTY

Warranty Term	Limited lifetime
Notes	Excludes Quick Release mechanism – warranty 5 years

COMPLIANCE & SAFETY CERTIFICATION

Whilst no mandatory standards apply to the monitor arm product sector, all Colebrook Bosson Saunders monitor arms have been designed with appropriate articulation features, dimensional range and adjustability to conform to the requirements of BS EN ISO 9241:5 1999 Ergonomic requirements for office work with visual display terminals (VDTs).

Conformance certification	N/A
Test authority	CBS
Safety certification	N/A

ENVIRONMENTAL

Material type	Material type Weight	% PIR of total weight	% PCR of total weight	% of total product recyclable
Aluminium Die Cast	431g	12.39%	24.78%	61.95%
Aluminium Extruded	0g	0%	0%	0%
Plastic	159g	1.14%	1.14%	22.85%
Rubber	0g	0%	0%	0%
Steel	104.7g	0%	3.76%	15.05%
Other	1g	0%	0.02%	0.14%
Total	695.7	13.53%	29.71%	100%

CLEANING, STORAGE & MAINTENANCE

Routine servicing	Periodic inspection
Service components	Available to order
Cleaning & Maintenance	Damp cloth, no abrasives, no solvents to be used on the cosmetic surfaces
Handling & Storage	Do not drop or expose to moisture

Colebrook Bosson Saunders (Products) Ltd accept no liability for the accuracy of the information contained herein and retain the right to modify the specifications or data contained herein without prior notification.