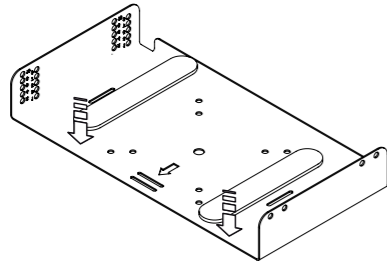


Installation on Slide and Rotate track (CPU fixing)

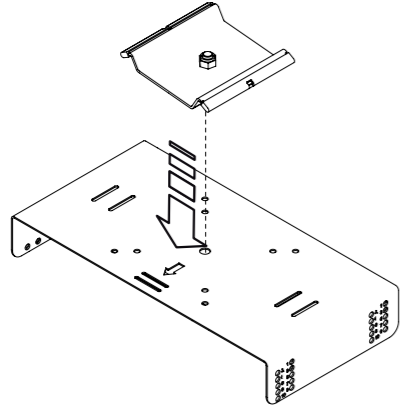
APPLY FOAM PADS TO INSIDE OF THIN CLIENT MOUNT PART A

1



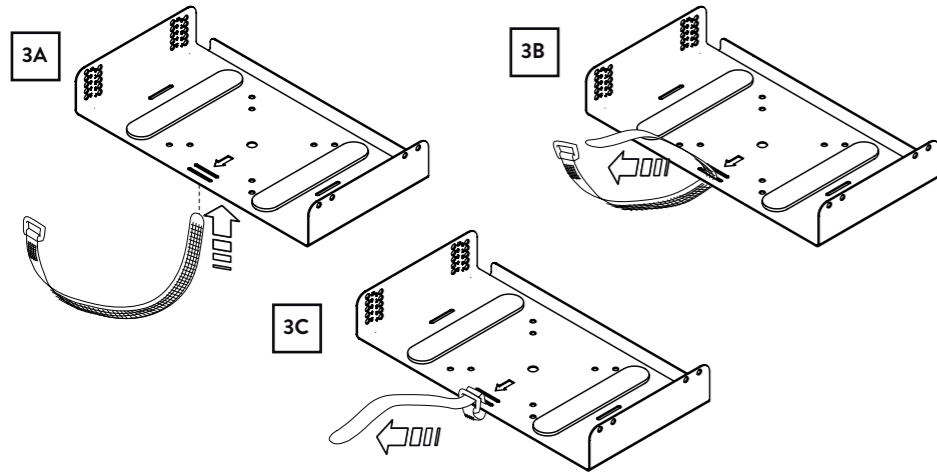
ATTACH THE S&R HEAD TO THIN CLIENT MOUNT PART B

2



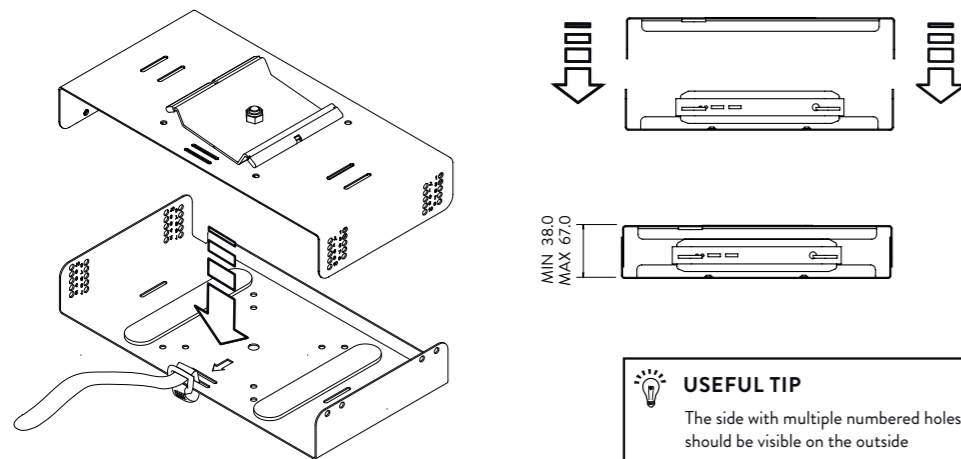
INSTALL VELCRO STRAP (IF REQUIRED)

3



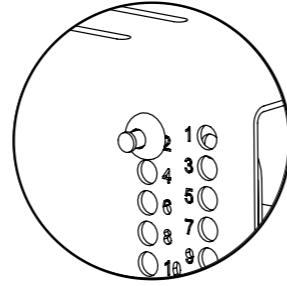
ADJUST HEIGHT TO SUIT WIDTH OF THIN CLIENT MOUNT

4



INSERT RIVET THROUGH HOLES TO ATTACH BOTH SIDE OF THE THIN CLIENT MOUNT

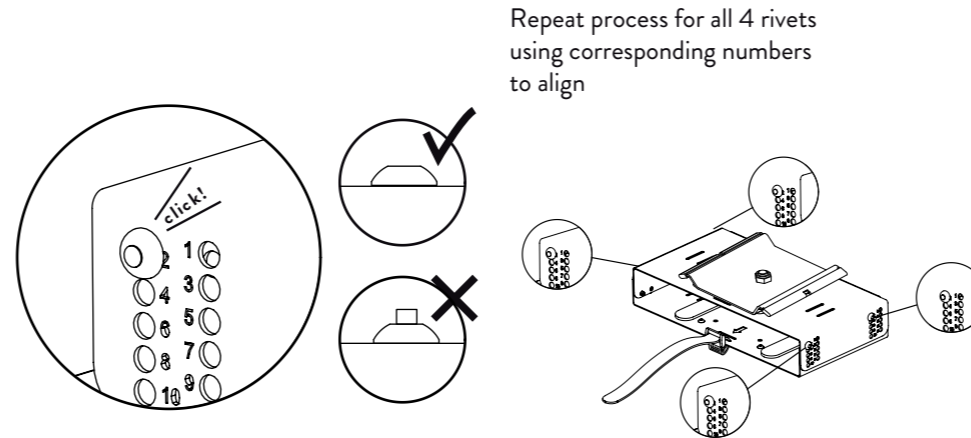
5



USEFUL TIP
Use corresponding numbers to align

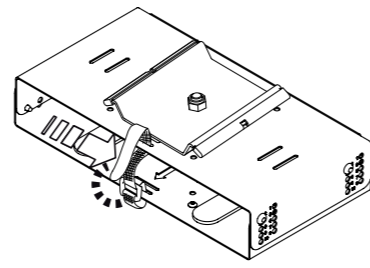
PRESS IN CENTRE OF RIVET TO SECURE

6



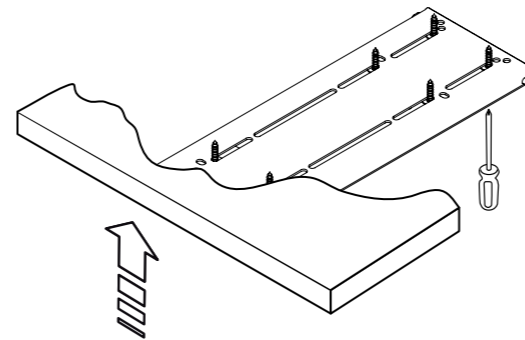
ATTACH VELCRO STRAP (IF REQUIRED)

7



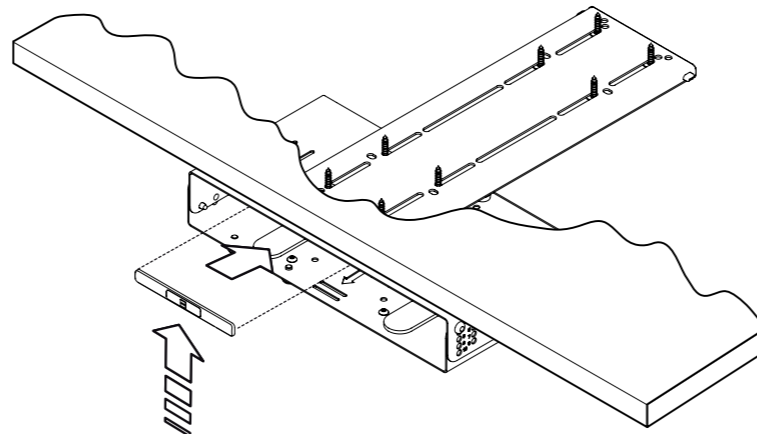
INSTALL SLIDE AND ROTATE TRACK TO UNDERSIDE OF DESK

8



INSERT HEAD INTO SLIDE AND ROTATE TRACK AND REPLACE SLIDE AND ROTATE TRACK STOPPER

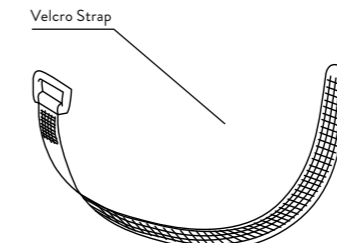
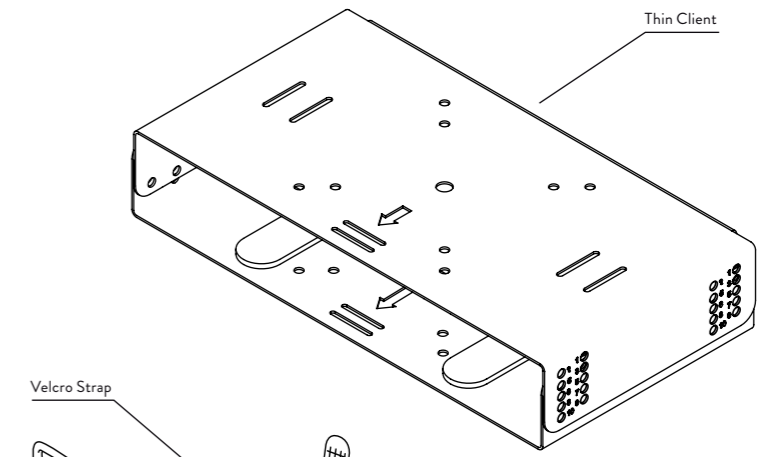
9



Installation instructions for Thin Client Mount



FIXINGS

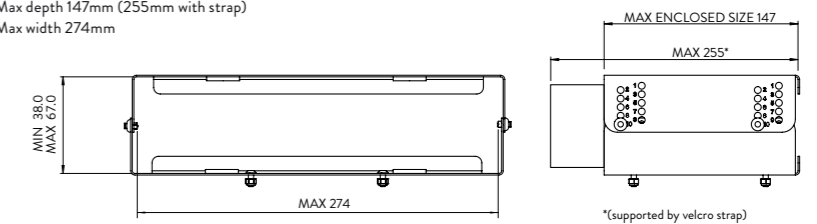


Please note: Load capacity must not exceed max. loading for arm

MAX
12kg/26lb

THIN CLIENT MINIMUM AND MAXIMUM DIMENSIONS

- Min/Max height 38mm/67mm
- Max depth 147mm (255mm with strap)
- Max width 274mm



WARNING

- Ensure desk / work surface / wall / partition is suitable to take the weight of the arms, Thin Client and monitors
- Do not use this product for any purpose other than that for which it was designed
- Supported weight must not exceed the maximum weight limit for the arm / Slide and Rotate fixing
- Hold the monitor tightly when making adjustments
- Care should be taken to avoid trapping fingers
- Some monitors have recesses and may require spacers or a 75mm VESA plate

MAINTENANCE AND INSPECTION

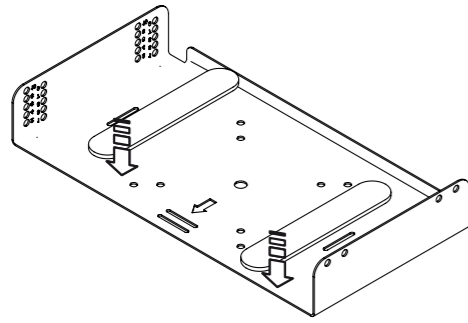
- Ensure all rivets are fully inserted and occasionally adjust if needed
- Clean with a damp cloth, NO solvent
- Ensure all screws are tightened and occasionally adjust if needed

TCM/001 INST D APRIL 2015

Installation behind monitor

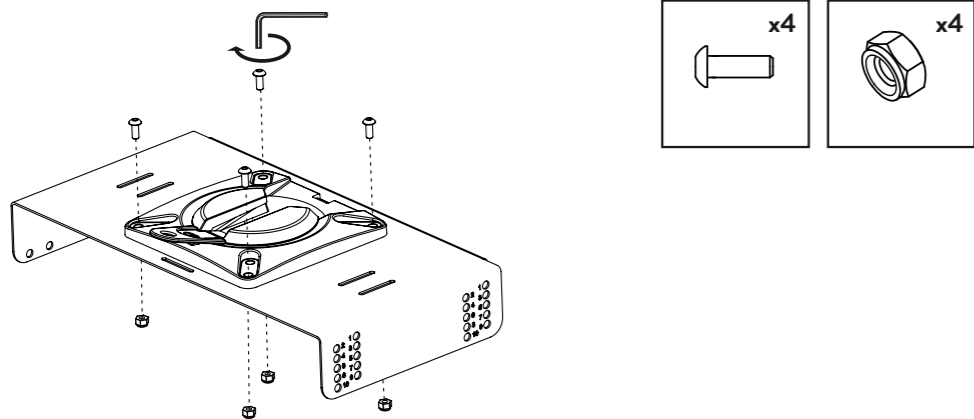
APPLY FOAM PADS TO INSIDE OF THIN CLIENT MOUNT PART A

1



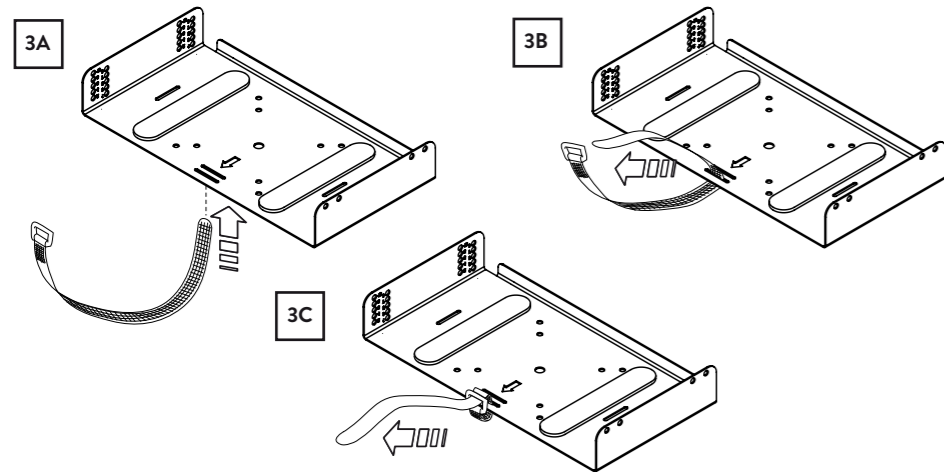
INSTALL VESA HEAD TO PART B USING SUPPLIED M4 FIXINGS

2



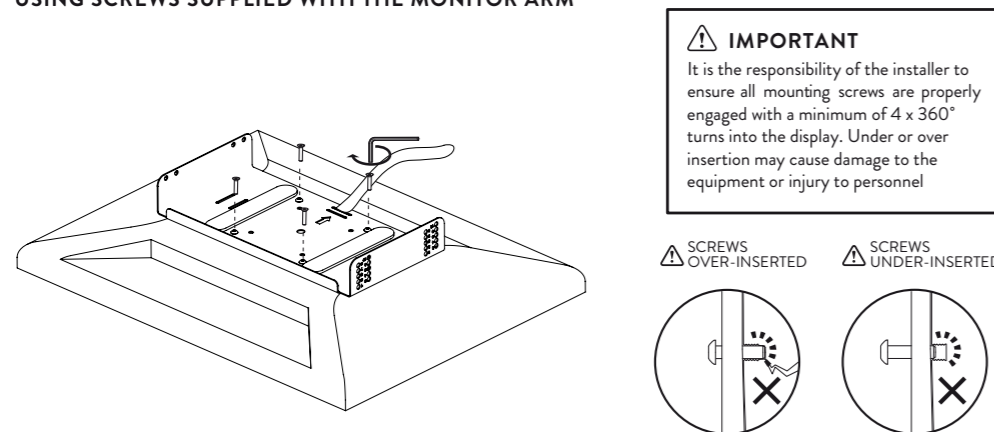
INSTALL VELCRO STRAP

3



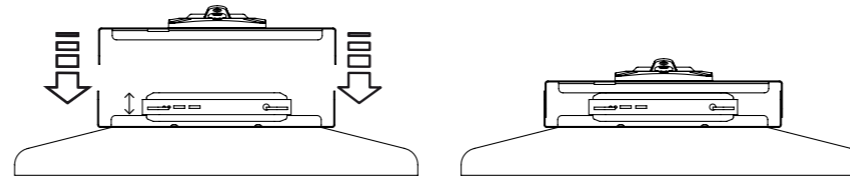
MOUNT THIN CLIENT MOUNT PART A TO THE MONITOR USING SCREWS SUPPLIED WITH THE MONITOR ARM

4



ADJUST HEIGHT TO SUIT WIDTH OF THIN CLIENT MOUNT

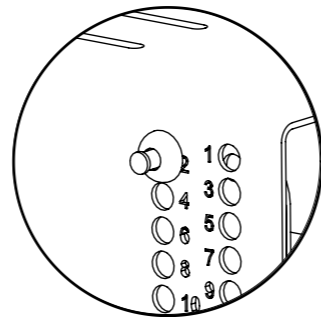
5



USEFUL TIP
The side with multiple numbered holes should be visible on the outside

INSERT RIVET THROUGH HOLES TO ATTACH BOTH SIDE OF THE THIN CLIENT MOUNT

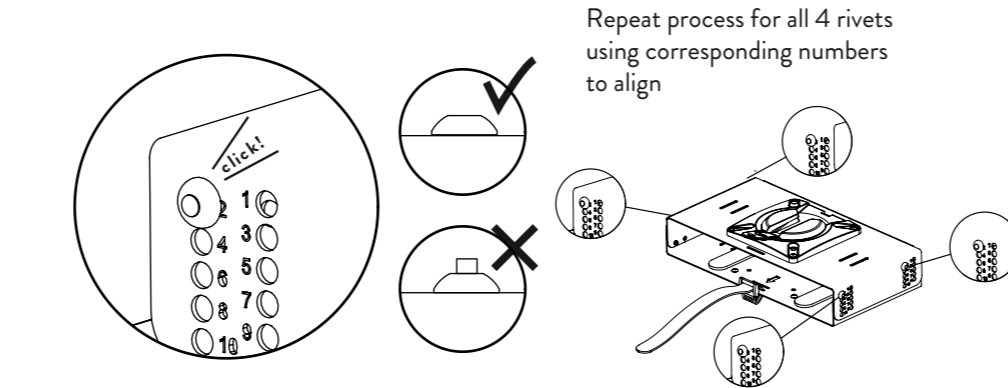
6



USEFUL TIP
Use corresponding numbers to align

PRESS IN CENTRE OF RIVET TO SECURE

7

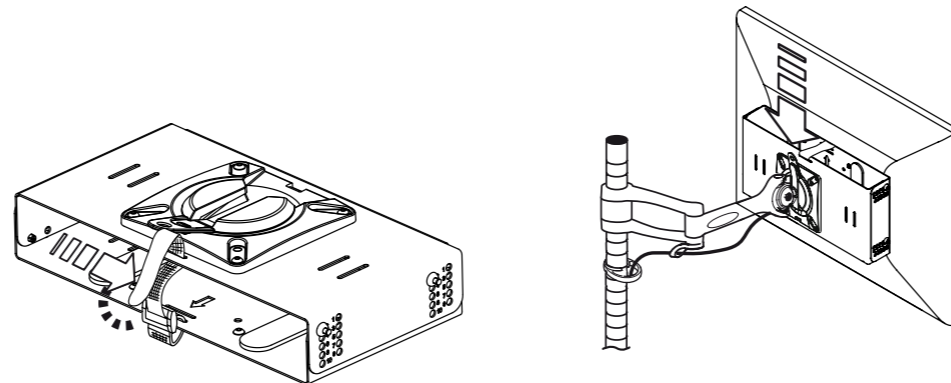


ATTACH VELCRO STRAP

8

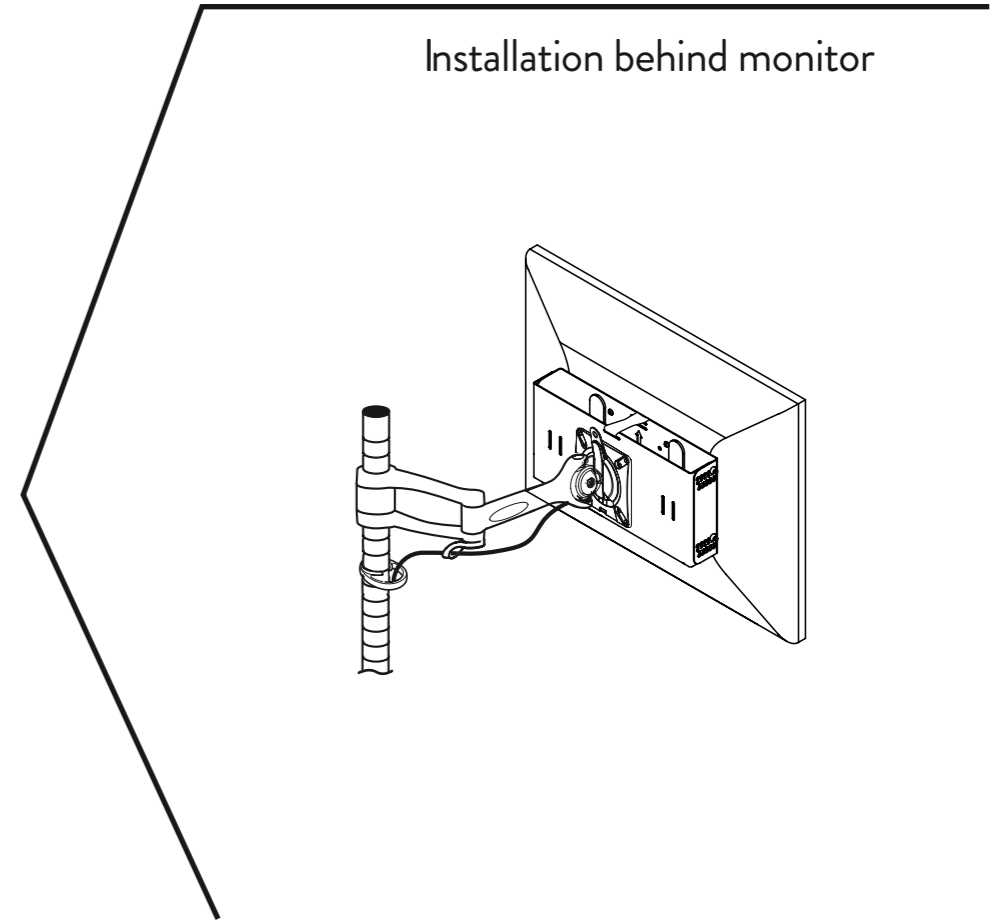
MOUNT ASSEMBLED UNIT ONTO ARM USING VESA HEAD

9



Do NOT exceed maximum recommended load

Installation behind monitor



Installation on Slide and Rotate track

