



## TECHNICAL SPECIFICATION SHEET

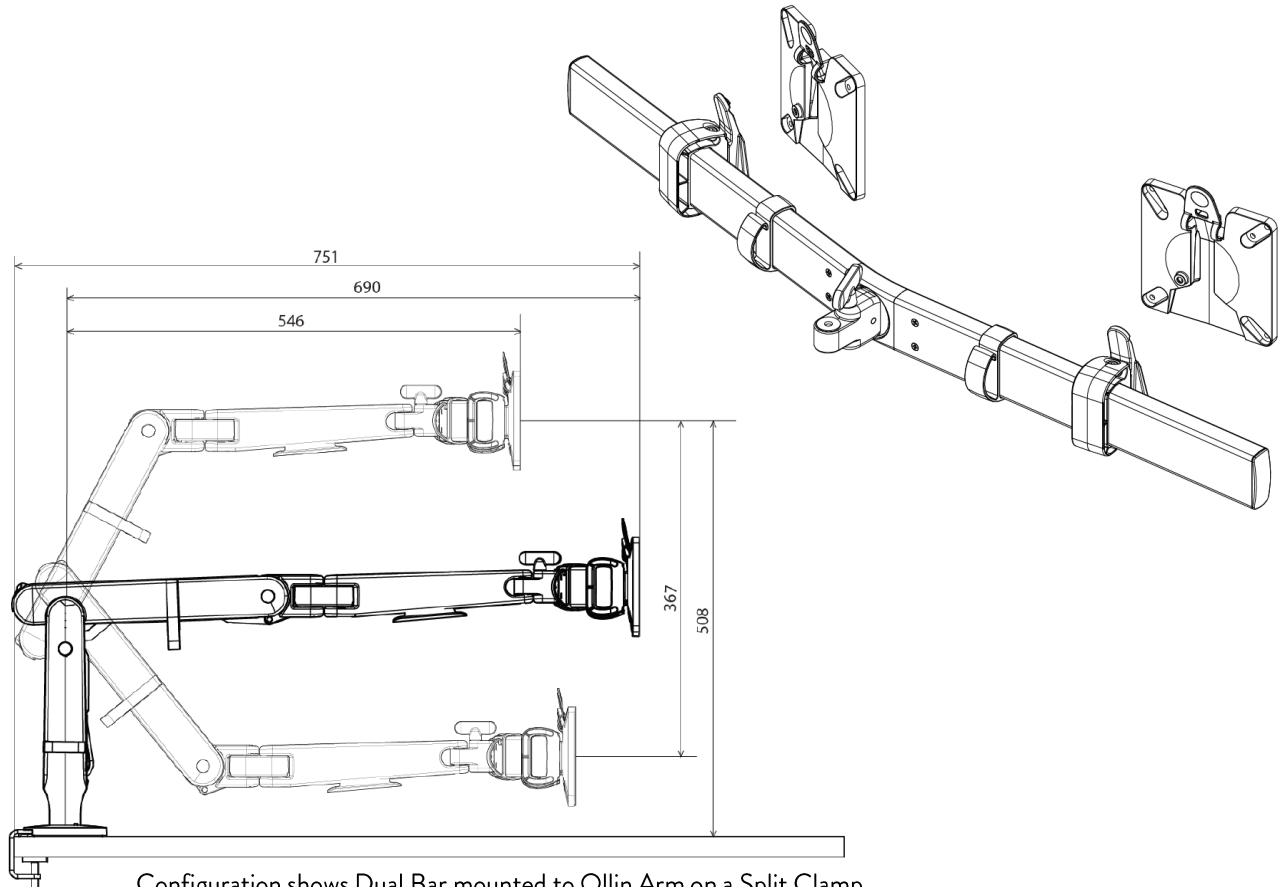
**RODUCT NAME:** Ollin Dual Mount Bar

**PRODUCT CODE:** OLN/DMB/001

Doc Rev 1.

Product Rev #A

05.10.2017 KO



Configuration shows Dual Bar mounted to Ollin Arm on a Split Clamp

\*Note dimensions are in mm

### KEY SPECIFICATIONS

<b>Product Classification:</b>	Monitor Arm
<b>Monitor Size Range:</b>	17" to 27" (Max monitor width approx. 610mm.)
<b>Mounted Load Range:</b>	0kg to 8kg total. (0lbs to 18lbs.) i.e. max 4kg (9lbs) <u>per monitor</u>
<b>Horizontal Reach:</b>	751mm
<b>Vertical Reach:</b>	508mm
<b>Vertical Motion Range:</b>	367mm
<b>Tilt Range:</b>	+25° / -1°
<b>Recycled content:</b>	71.4%
<b>Total product recyclable:</b>	95.9%

## KEY FEATURES

---

- Fits quickly and easily to the Ollin monitor arm (as a direct replacement for the standard VESA tilt head.)
- Supports 0kg to 8kg load range (i.e. up to 4kg per monitor.)
- Mounts monitor sizes from 17" to 27".
- Integrated cable management features guide cables along the bar to the cable management of the monitor arm.
- Tilt adjustment of monitors via a central adjuster knob. Note that the dual bar & monitors tilt as a single unit, i.e. the monitors do not tilt individually, avoiding the inconvenience of accidental angle misalignment between the screens.)
- Fine height adjuster features permit accurate height alignment of adjacent monitors.
- Central pivot feature permits horizontal levelling of the complete dual bar.
- Can be configured with 'cockpit' monitor formation or 'flat' monitor formation.
- Futureproof: Easy to upgrade existing Ollin installation from single to dual screen. Equally easy to revert from dual back to single if future needs change.

## LOGISTICAL

---

<b>Box contains:</b>	Ollin Dual Mount Bar, 2 x VESA mount plates & VESA fixing screws, 1 x bar mounting screw.
<b>Net product weight:</b>	1.2kg
<b>Product box gross weight:</b>	1.84kg
<b>Product box dimensions:</b>	745mm x 150mm x 255mm
<b>Carton quantity:</b>	6 pcs
<b>Carton gross weight:</b>	12.3kg
<b>Carton dimensions:</b>	756mm x 470mm x 260mm
<b>Pallet quantity:</b>	48 pcs (8 cartons)
<b>Pallet weight:</b>	109kg
<b>Country of origin</b>	China
<b>Country of configuration</b>	UK

## ORDERING INFORMATION

---

<b><u>Product Description</u></b>	<b><u>Product code</u></b>	<b><u>Colour</u></b>
Ollin Dual Mount Bar	OLN/DMB/001	/B: Black

## WARRANTY

**Warranty Term**                      Limited lifetime

## COMPLIANCE & SAFETY CERTIFICATION

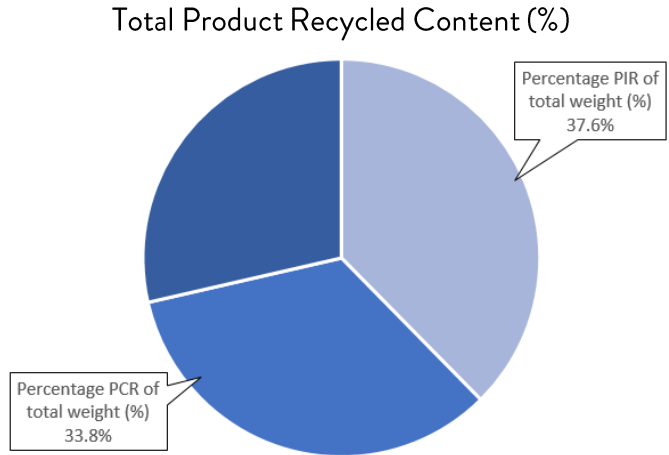
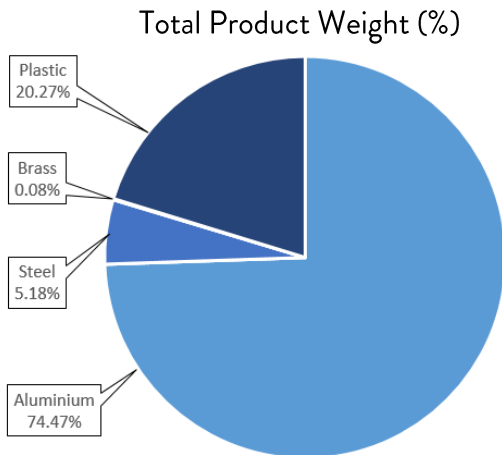
Whilst no mandatory standards apply to the monitor arm product sector, all Colebrook Bosson Saunders monitor arms have been designed with appropriate articulation features, dimensional range and adjustability to conform to the requirements of BS EN ISO 9241:5 1999 Ergonomic requirements for office work with visual display terminals (VDTs).

**Conformance certification**    N/A  
**Test authority**                      CBS  
**Safety certification**                N/A

## ENVIRONMENTAL

Material Make-up			Total Recycled Content	Breakdown of Recycled Content		Total Recyclable	
Overall Product			Overall Product			Overall Product	
Material type	Total Material type weight (g)	Percentage of Total Product Weight (%)	Material-Type Recycled Content (%)	Percentage PIR of total weight (%)	Percentage PCR of total weight (%)	Total Product Recyclable (g)	Total Product Recyclable (%)
Aluminium	891.0	74.47%	70.7%	37.5%	33.2%	853.0	71.3%
Steel	62.0	5.18%	0.7%	0.1%	0.6%	56.0	4.7%
Brass	1.0	0.08%	0.0%	0.0%	0.0%	1.0	0.1%
Plastic	242.5	20.27%	0.0%	0.0%	0.0%	237.5	19.8%
<b>Total</b>	<b>1196.5</b>	<b>100.0%</b>	<b>71.4%</b>	<b>37.6%</b>	<b>33.8%</b>	<b>1147.5</b>	<b>95.9%</b>

PIR = Post Industrial Recycled  
 PCR = Post Consumer Recycled



## **CLEANING, STORAGE & MAINTENANCE**

---

<b>Routine servicing</b>	Periodic inspection
<b>Service components</b>	Available to order
<b>Cleaning &amp; Maintenance</b>	Damp cloth, no abrasives, no solvents to be used on the cosmetic surfaces
<b>Handling &amp; Storage</b>	Do not drop or expose to moisture

---

While every effort is made to ensure the accuracy of our technical information, Colebrook Bosson Saunders (Products) Ltd accept no liability for the accuracy of the information contained in this document and reserve the right to modify the specifications or data contained herein without prior notification.