



NEW PRODUCT RELEASE Doc Rev 1 13.12.2016 LE

Tabetha Tablet Mount. TAB/001/W – December 2016

This bulletin communicates details of a new product introduction – Tabetha Tablet Mount.

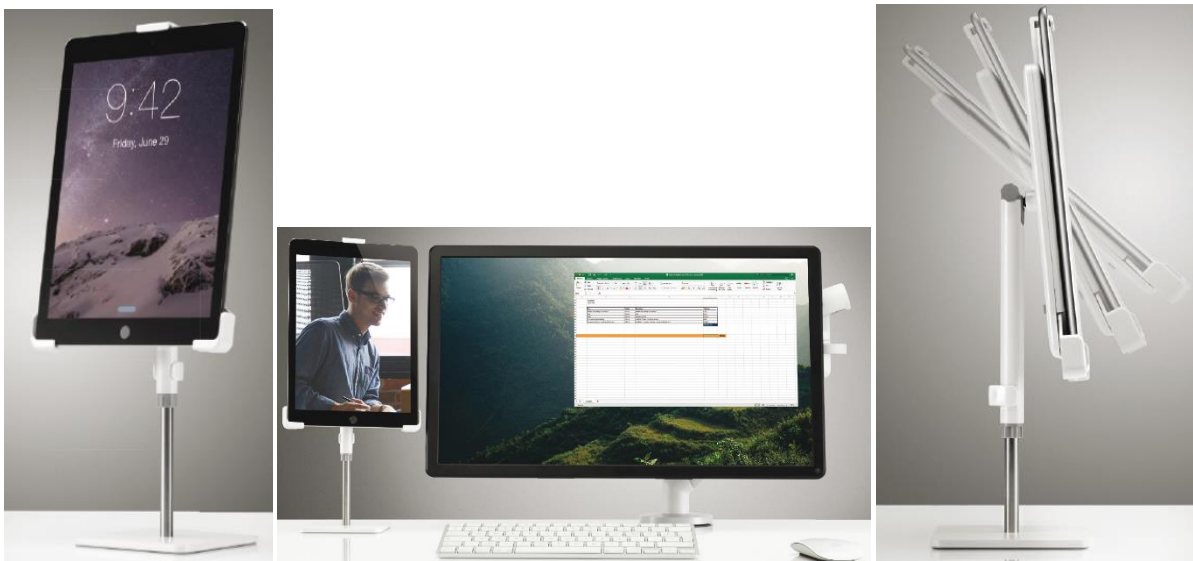
1. Product Overview

The Tabetha Tablet Mount has been designed as part of the company's versatility to explore innovative and exciting product areas, along with the core desk mounted arms usually associated with our brand. With the ever increasing popularity of touch screen products, Tabetha offers the convenience and flexibility to operate a tablet in different environments, e.g. home or office.

Tabetha is an accessory that allows you to mount a tablet for practical desktop use. The product has been designed to securely hold a wide range of tablet sizes and formats. Its adjustability allows the tablet to be displayed in a range of heights and orientations according to the user's preference or specific applications, e.g. touchscreen interaction, video conferencing, music/video playing, etc.

Tabetha is presented as a free-standing product, i.e. not fixed to the furniture, which denotes simplicity to relocate it around environments. Its compact design occupies minimal desktop space. The product allows you to quickly and easily, remove or replace the tablet for day to day use, for example to attend meetings in workplace environments.

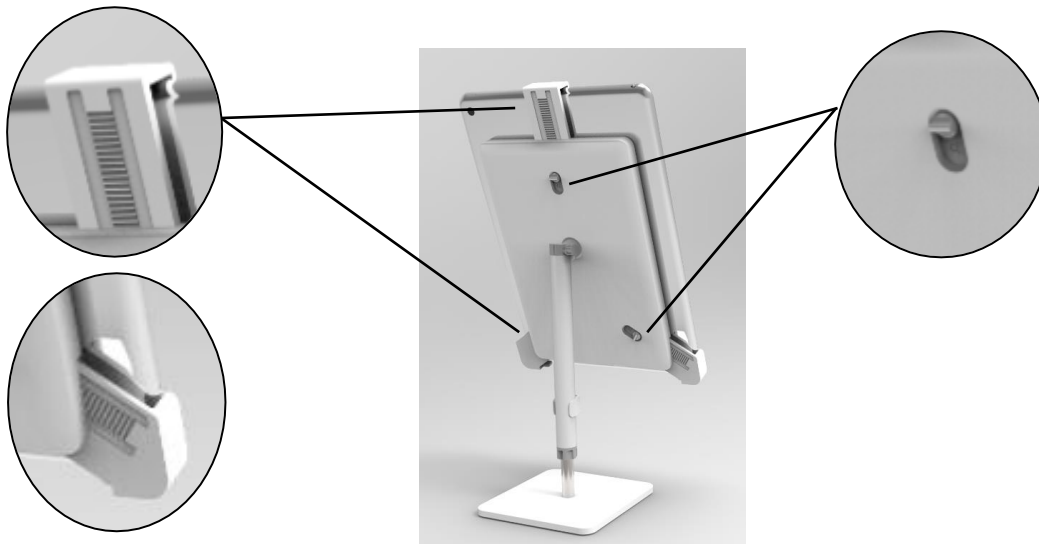
This product is suitable for sales channels outside the traditional furniture reseller route – webstore / retail / direct purchase.



2. Function and Features

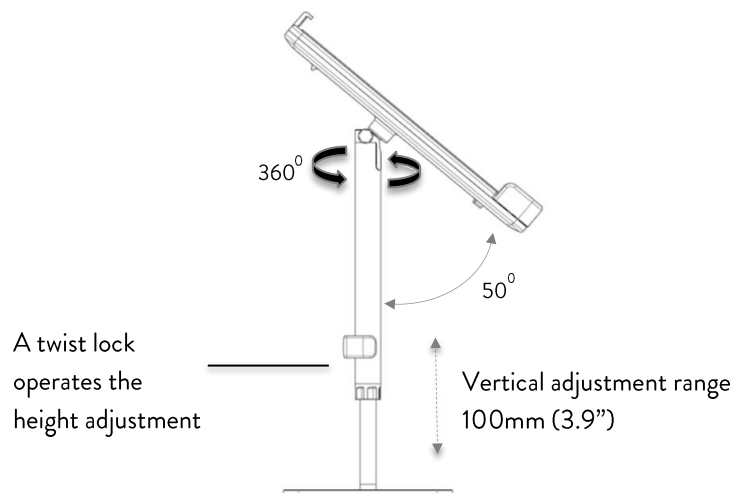
Tablet Holder

- Tool-free installation
- Soft pads featured throughout the tablet holder to protect the tablet
- The arms are designed to be manually adjustable to fit tablets sizes from 7" to 12.9, providing stability when interacting with the tablet.
- Two slide buttons featured at the back of the tablet mount to lock the arms and secure the tablet to the user's chosen position. The locks can be easily and quickly released to dismount the tablet.
- Square base provides a stable support structure in all orientations of mount.



Adjustment Features

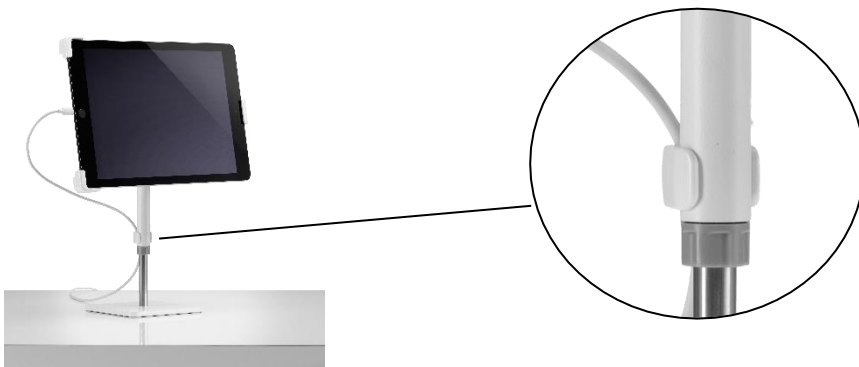
- 360° rotation as well as 50° tilt action allows the tablet to be positioned according to the user's preferences.
- A centre twist lock located in the stem allows the user to adjust and lock the height of the mount.



- The mount height permits all sizes of mounted tablets to be rotated from portrait to landscape.



Additional Features



Cable management clip holds cabling tidily through the mount when required (for example USB charging cables).

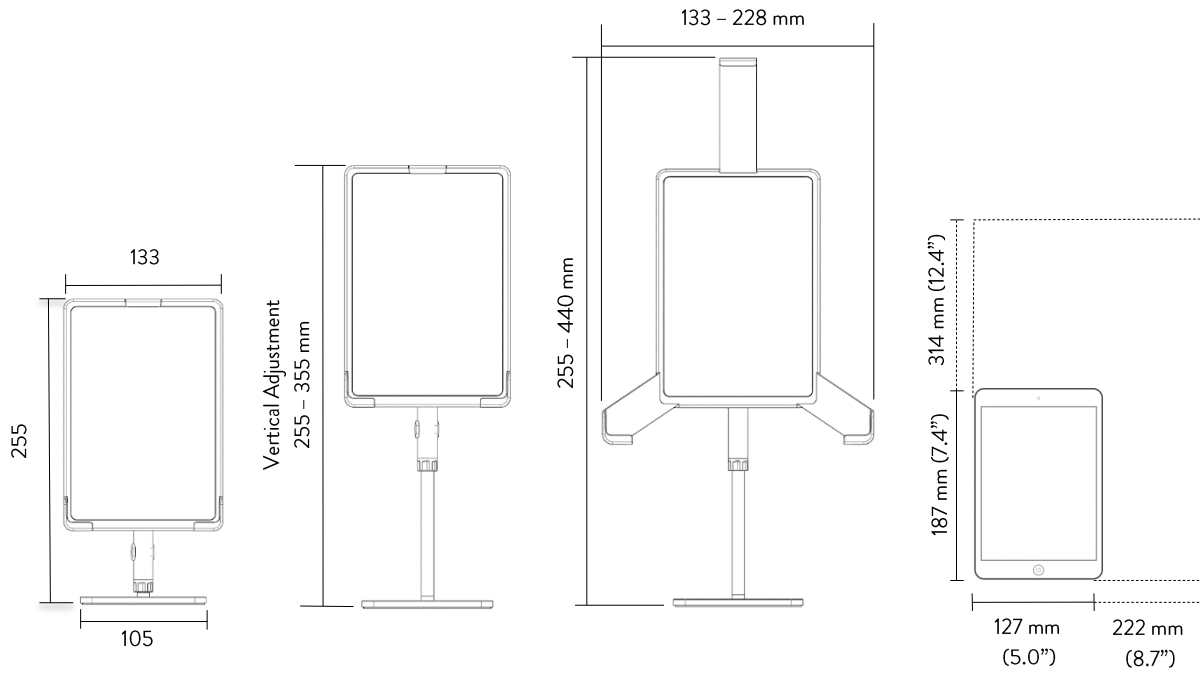
3. Product specifications

Product dimensions:

Base: 105mm x 105mm (4.1" x 4.1")
Vertical Adjustment range: 100mm (3.9")

Tablet size range:

Nominal tablet size: 7" to 12.9" *
Min: H187mm x W127mm x D5mm
Max: H314mm x W222mm x D11mm
*(for 7" tablets the maximum thickness is 9mm)



Mounted weight: Max: 0.8kg
 Tilt adjustment: From vertical to 50°
 Rotation: 360°
 Colour: White

4. Ordering information:

Product code: TAB/001/W
 List price:

UK	£65
Europe	€88
World USD	\$107
AUS \$	\$118

Stock availability:

UK	February 2016
Australia	May
Asia	May
USA	TBC

5. Logistical Data:

TBC

6. Marketing Materials:

Product images:	Available in Product Information January
Salesforce:	Available Now
Instructions:	Available Now in Product Information
Customer CAD data:	Available in Product Information January

7. Environmental Data:

TBC

8. Product Test Data:

Load Testing:	0.8kg
Cycle testing:	Rotational (landscape to portrait), on stand pillar and tilt: 6300 cycles Up and down of the stand pillar: 3000 cycles Adjustable arms: 13100 cycles All tests performed with a mounted load of 0.8kg

Product Management
December 2016